

2-Stage Centrifugal

OGP+ 50Hz

Submersible Grinder Pump

Series: OGP+

1.5kW, 2875RPM, 50Hz

Compact Series For Automatic
Level Control/Manual Operation

Description

The 2-stage centrifugal grinder pressure pump is designed to reduce domestic, commercial and industrial sewage to a finely ground slurry. With an International Protection Rating of IP68, Aquatec's pumps hold the highest levels of protection on the market today.



Discharge	32mm
Liquid Temperature	104°F (40°C) Continuous
Volute	Cast Iron ASTM A-48, Class 30
Motor Housing	Cast Iron ASTM A-48, Class 30
Seal Plate	Cast Iron ASTM A-48, Class 30
Impellers	
<i>Design</i>	12 Vane, Splitter-Type, Vortex, With Pump Out Vanes On Back Side. Dynamically Balanced, ISO G6.3.
<i>Material</i>	85-5-5-5 Bronze
Shredding Ring	Hardened 440C Stainless Steel Rockwell® C-55.
Cutter	Hardened 440C Stainless Steel, Rockwell® C-55.
Shaft	416 Stainless Steel
Square Rings	Buna-N
Hardware	300 Series Stainless Steel
Paint	Industrial Grade 2 Part Epoxy
Seal	
<i>Design</i>	Single Mechanical, oil filled reservoir
<i>Material</i>	Rotating Faces - Silicon-Carbide Stationary Faces - Silicon-Carbide Elastomer - Buna-N Hardware -300 Series Stainless
Cord Entry	Custom Molded, IP68 Quick Connect, for Sealing and Strain Relief
Cord	
<i>Automatic</i>	CSA/UL Approved 12/5 Type SOW
Upper Bearing	
<i>Design</i>	Single Row, Angular Contact Ball
<i>Lubrication</i>	Oil
<i>Load</i>	Radial & Thrust
Lower Bearing	
<i>Design</i>	Single Row, Angular Contact Ball
<i>Lubrication</i>	Oil
<i>Load</i>	Radial & Thrust
Motor	
<i>Design</i>	NEMA L- Single Phase Torque Curve, Oil-Filled, Squirrel Cage Induction
<i>Insulation</i>	Class F
Single Phase	Capacitor Start / Capacitor Run
Check Valve	
<i>Body</i>	Cast Iron ASTM A-48, Class 30
<i>Seat</i>	Bronze ASTM C836
<i>Flap</i>	Fiber Reinforced Buna
Level Control	Options include Pressure Transducer, ESPS Pressure Switch, Float Switch.
Optional Equipment	Cord Length, C-Channel Check Valve Kit for Guide Channel mounting of pumps

OGP + Technical Specification



2-Stage Centrifugal OGP+ 50Hz

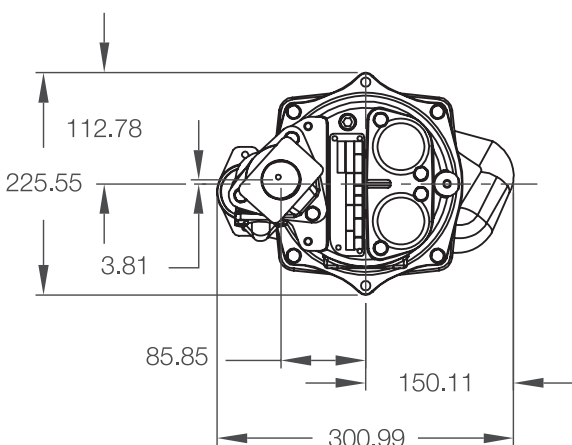
Motor Data

Model No	OGP20X2C	Nema Start Code	H
Part No	119525A	Full Load Amps	17.0
kW	1.5	Locked Rotor Amps	65.0
Phases	1~	Cord Size	12/5
Volt	230	Cord Type	SOW
Hz	50	Cord O.D.	.71 (18)
Rpm (Nom)	2875		
No. of Poles	2		

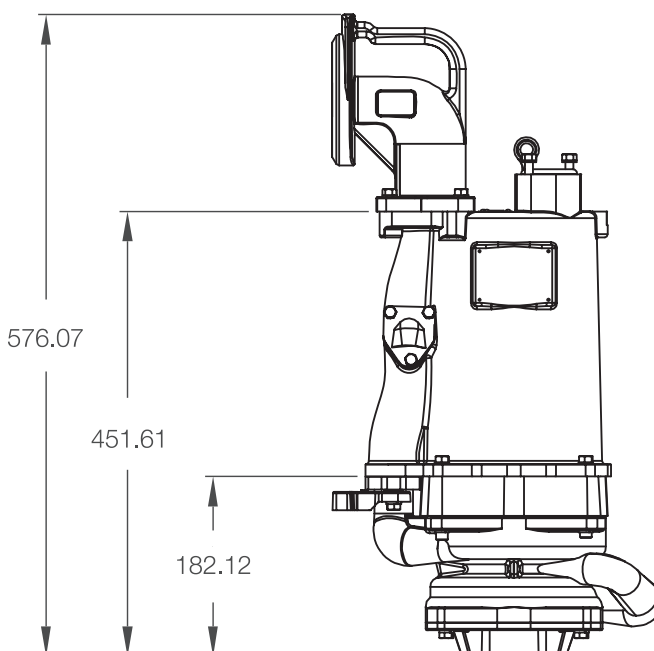
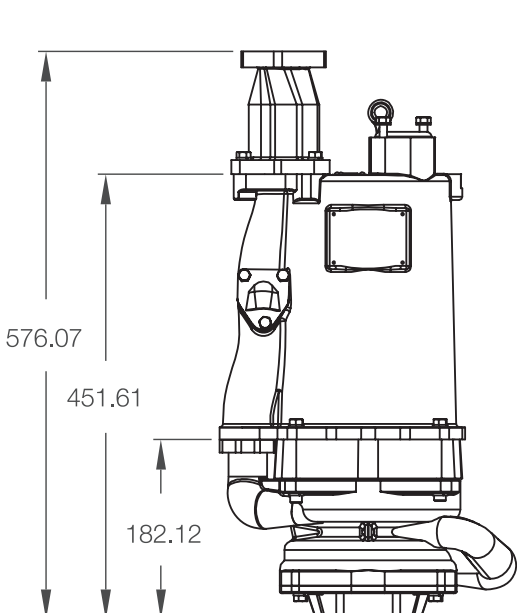
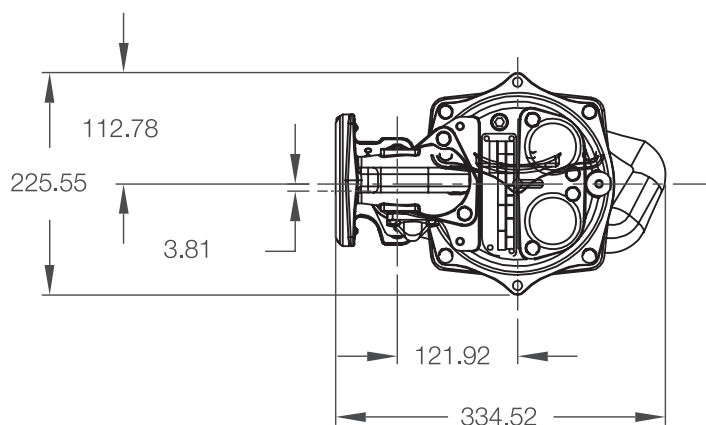
Important

- 1 Pump may be operated "dry" for extended periods without damage to motor and/or seals.
- 2 This pump is appropriate for those applications specified as class i division ii hazardous locations.
- 3 This pump is not appropriate for those applications specified as class i division i hazardous locations.

Free Standing



C-Channel Mounted



OGP+ Performance Curve

2 Stage Centrifugal



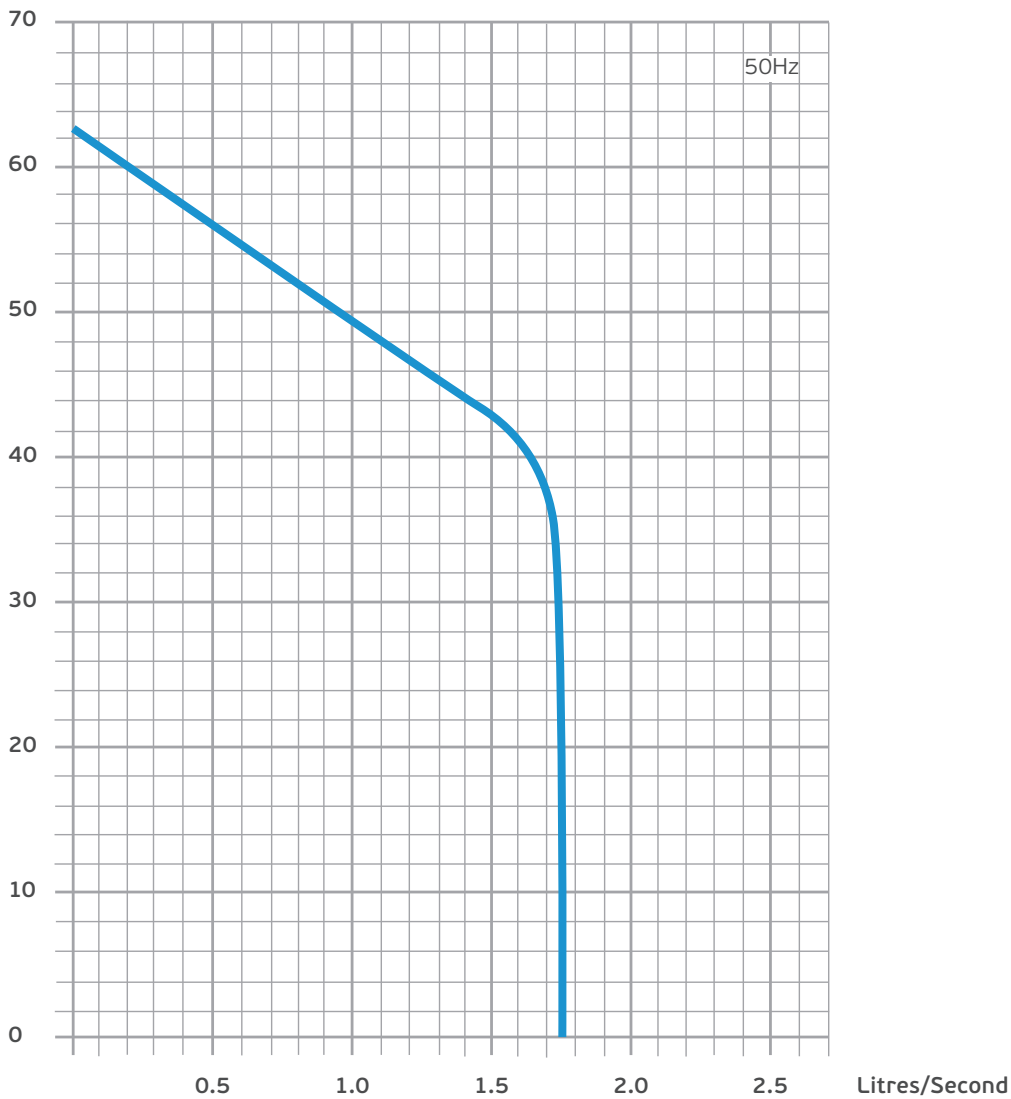
Series OGP+ 1.5kw, 2875RPM, 50Hz

Performance curve includes impact of integral anti-siphon and check valve.

Testing is performed with water, specific gravity 1.0 @ 20°C, other fluids may vary performance.

Performance Curve

Metres Head



Curve According to ISO 9906